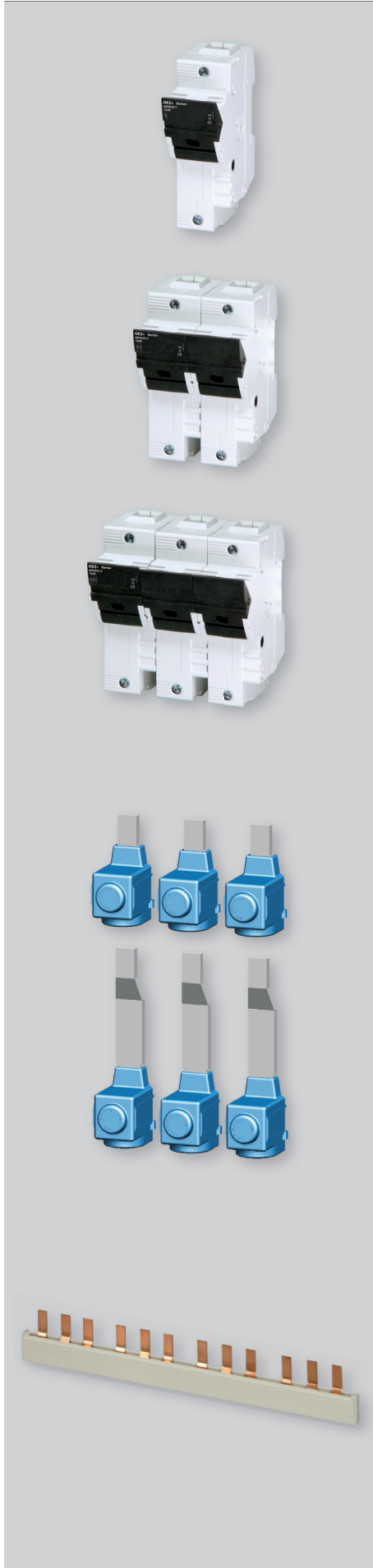


FUSE SWITCH-DISCONNECTORS OPVP22 UP TO 125 A



- Fuse switch-disconnectors OPVP22 are intended for cylindrical fuse-links size 22x58.
- They can safely switch off rated current and overcurrent. Devices meet the requirements for safe disconnection.
- Inverse connection is permissible and it affects neither the technical parameters nor the safety of the operator.
- Fuse switch-disconnectors OPVP22 can be sealed in the closed state.
- The devices are designed as modular for 45 mm cutout in the switchboard.
- Mounted on „U“ rail of type TH35 according to EN 60715.
- Switch-Disconnector design ...-S features LED signalization of the state of fuse-link for each pole.
- Fuse-link state can also be indicated by means of MD-M3 electronic signalling.

Fuse switch-disconnectors

Type	Order code	I_n [A]	Number of poles	Weight [kg]	Package [pcs]
OPVP22-1	OEZ:41035	125	1	0.158	6
OPVP22-1-S	OEZ:43693		1	0.159	6
OPVP22-1N	OEZ:43696		1+N	0.358	3
OPVP22-2	OEZ:41036		2	0.322	3
OPVP22-2-S	OEZ:43694		2	0.323	3
OPVP22-3	OEZ:41037		3	0.486	2
OPVP22-3-S	OEZ:43695		3	0.487	2
OPVP22-3N	OEZ:43697		3+N	0.675	1

Accessories

Description	Type	Order code	Weight [kg]	Package [pcs]
Terminal extension - set of 3 pcs, for connection of Cu/Al conductors of cross-section $35 \div 95 \text{ mm}^2$ to switch-disconnector OPVP22-3, possibility of connection of two stranded conductors 25 mm^2	CS-FH000-3NP95	OEZ:13740	0.184	1
Terminal extension with long terminal - set of 3 pcs, for connection of Cu/Al conductors of cross-section $35 \div 95 \text{ mm}^2$ to switch-disconnector OPVP22-3, use for a set with interconnecting busbars CS-OPV-3L, possibility of connection of two stranded conductors 25 mm^2 , advantage is mounting from the front side of the switch-disconnector	CS-FH000-3ND95	OEZ:15589	0.184	1

Description	Type	Number of connected switch-disconnectors	Order code	Weight [kg]	Package [pcs]
Interconnecting busbars , for 3-pole switch-disconnectors, cross-section 35 mm^2 , rated operating voltage AC 415 V, max. operating voltage 690 V, 200 A at power supply of middle, 125 A at power supply of one's end, in one terminal it is possible to connect a busbar and one solid Cu conductor of cross-section $1.5 \div 35 \text{ mm}^2$, or terminal extension with long terminal	CS-OPV22-3L2	2	OEZ:35954	0.184	5
	CS-OPV22-3L3	3	OEZ:35955	0.320	5
	CS-OPV22-3L4	4	OEZ:35956	0.452	5
	CS-OPV22-3L5	5	OEZ:35957	0.590	5

Specifications

Rated operating current	I_e	125 A
Rated operating voltage	U_e	AC 690 V / DC 440 V
LED signalling voltage range		AC/DC 110 ÷ 690 V
Utilization category		AC400 V AC-21B
		AC 690 V AC-21B
		DC 250 V AC-21B
Rated thermal current with fuse-link	I_{th}	100 A
Rated frequency	f_n	50 ÷ 60 Hz
Rated insulation voltage	U_i	AC 800 V
Rated conditional short-circuit current with fuse-links PV (RMS)	I_{cc}	AC 500 V 100 kA
		AC 690 V 80 kA
Rated impulse withstand voltage	U_{imp}	6 kV
Fuse-link size	diameter x length	22x58
Max. power losses of the fuse-link	P_v	10.5 W
Rated short-time withstand current	I_{cw} 1 s	2.5 kA
Rated short-circuit making capacity at DC 440 V	I_{cm}	12.4 kA
Electrical endurance	operating cycles	200
Mechanical endurance	operating cycles	1 600

FUSE SWITCH-DISCONNECTORS OPVP22 UP TO 125 A

Specifications

Degree of protection from front side, built-in device, cover closed	IP20
Connection cross-section	Cu/4 ÷ 50 mm ²
Torque	3.5 ÷ 4 Nm
Operating ambient temperature	t
Max. sea level	2 000 m
Seismic resistance according to VE ŠKODA	3 g / 8 ÷ 50 Hz
Overvoltage category / Rated voltage	II(III*) / AC 690 V, III(IV*) / AC 500 V
Standards	IEC 60947-1, -3; EN 60947-1, -3
Approval marks	

* For underground cable distribution systems with overvoltage protection or for exposure to a low thunderstorm electricity (table H2 EN 60947-1, IEC 60947-1).

EN 60947-3 ed. 2/A2, p. C.5 Instructions for the use of 1-pole controlled devices states:

These devices are intended for distribution systems, with possible necessity of switching and/or safe disconnection of individual phases, and must not be used for switching a primary circuit of a three-phase equipment.

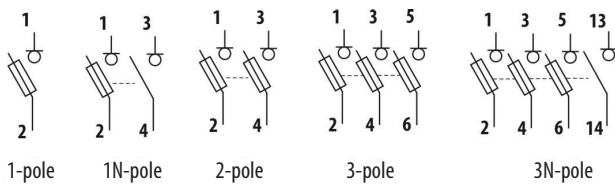
Reduction of rated current of fuse-links PV gG, aM according to the number of poles

Type	I _n [A]	Reduced rated current [A] (number of poles)					
		1	2	3	5	7	10
OPVP22	125	125	125	120	118	117	116

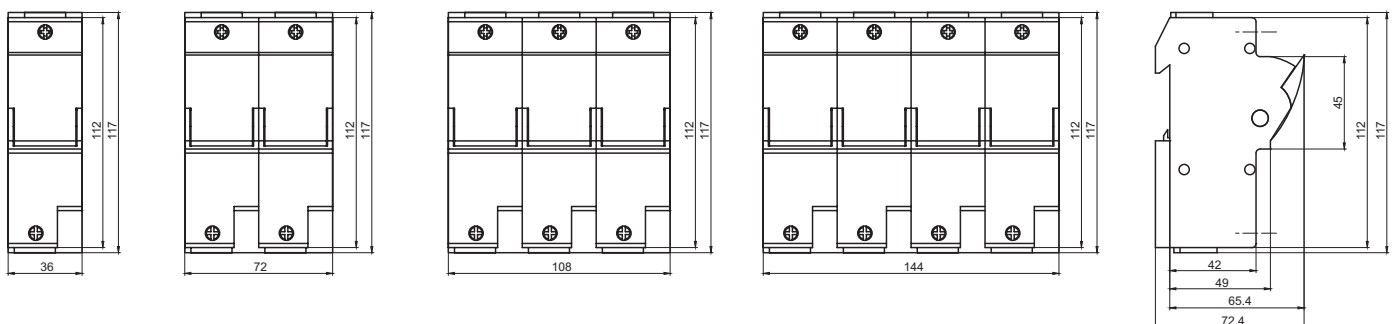
Fuse switch-disconnector with disconnecting link

Rated operating current	I _e	125 A	
Thermal current with disconnecting link ZPV10	I _{th}	150 / 50 mm ²	
Utilization category		AC-20B	
Rated short-time withstand current	I _{cw} 1 s	2.5 kA	
Rated short-circuit making capacity	I _{cm}	AC 690 V	12.4 kA
		DC 440 V	7 kA
Power losses with disconnecting link at I _e	P _v	7 W	
Connection cross-section		4 ÷ 50 mm ²	

Diagram



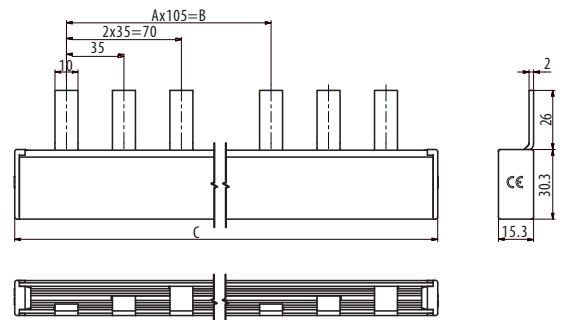
Dimensions



Interconnecting busbars

Interconnecting busbars CS-OPV22-...,

for connection of 2, 3, 4 or 5 pieces of 3-pole switch-disconnectors OPVP22



A [number]	Dimensions		Type
	B [mm]	C [mm]	
1	105	178	CS-OPV22-3L2
2	210	267	CS-OPV22-3L3
3	315	356	CS-OPV22-3L4
4	420	445	CS-OPV22-3L5

Cross-section of busbar 35 mm².

Max. busbar current 200 A.

Max. individual current taking 125 A/phase.

* Recommended value of max current can not be exceeded in no place of interconnecting busbar